



VRF, Split Systems and Ventilation

Air to Water Heat Pumps/ Simultaneous Heat

Side Discharge Cooling Condensers and Heat Pumps

H.V.A.C. DISTRIBUTOR SINCE 1987

Tankless Water Heaters

Small Duct Central Heating and Air Conditioning

Boilers and Indirect Water Heaters

mitsair.com

Head Office: Mississauga

1608 Bonhill Road  
Mississauga, ON L5T 1C7  
1 (800) 567-2221 • info@mitsair.com

Hydronics & Unico Division

6125 Netherhart Rd  
Mississauga, ON L5T 1G5  
(905) 362-5293 • hydronics@mitsair.com

Barrie Branch

691 Dunlop Street W.  
Barrie, ON L4N 9W9  
1 (800) 688-1673 • barrie@mitsair.com

London Branch

90 Towerline Place  
London, ON N6E 2T1  
(519) 914-9000 • london@mitsair.com

Windsor Branch

11629 County Road 42  
Tecumseh, ON N8N 0H1  
(519) 914-0332 • windsor@mitsair.com



# MITSWZ28EC

THROUGH THE WALL AIR CONDITIONER

Effective September 1<sup>st</sup>, 2024

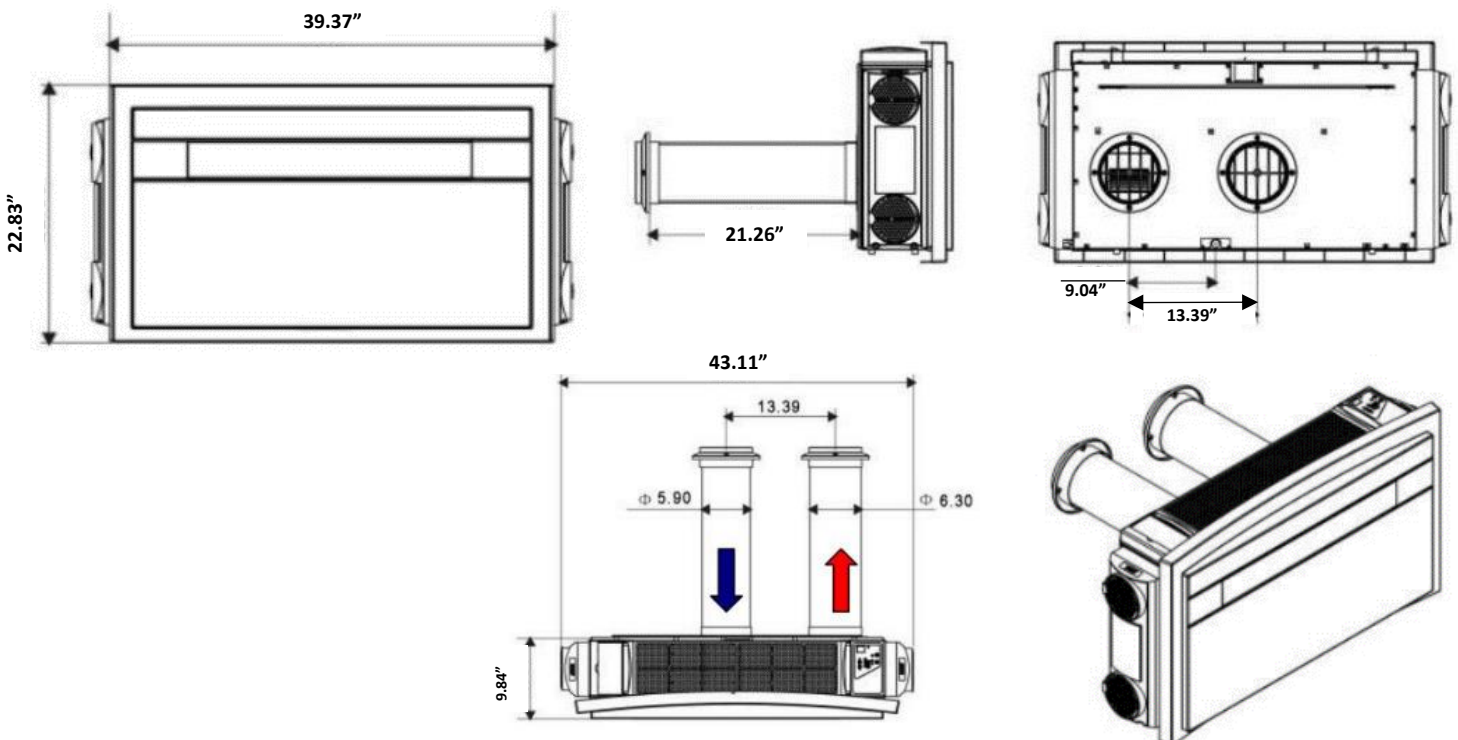
Contractor Cost **\$2,300.00**

## FEATURES

- Suitable for residential applications
- Heating, air conditioning, and fresh air intake
- Eliminates the need for an outdoor unit
- Modern and attractive aesthetic
- Virtual plug-and-play
- Low noise
- WIFI APP allowing remote control of the unit or units via cell phone.
- Eco Mode option used when doors and windows are left open to save energy



## DIMENSIONS



**Note:** The external pipes have two different diameters, use  $\varnothing 6.3$  in for air outlet side (see red arrow) and  $\varnothing 5.90$  in for air inlet side (see blue arrow).

# MANUFACTURER TECHNICAL DATA

Model	MITSWZ28EC
Cooling capacity	8881Bth/h, 2603W
Heating capacity	7895Bth/h, 2314W
Electric heater capacity	6824Bth/h, 2000W
Power input in cooling (W)	675
Power input in heating (W)	689
Power input for electric heater (W)	2000
EER (Btu/w)	13.16
COP (Btu/w)	11.46
Air flow	253 CFM / 430 m <sup>3</sup> /h
Fan speed setting	3+Auto
Dehumidification capacity (L/24h)	23.8
Noise level indoor dB(A)	48
Noise level outdoor dB(A)	58
Power supply (V/Ph/Hz)	208/230/1/60
Refrigerant type	R32
Refrigerant charged	16.6 oz / 470 g
Dimension HxWxD	22.8x43.1x9.6 inch / 580x1095x245 mm
Weight	114.6 lb / 52 kg
Inlet/Outlet hole diameter	6.4 inch / 162 mm
Fresh air pipe diameter	2 inch / 50 mm

All performance data and specifications are subject to change without notice

## **Standard Test Operating Conditions in Cooling and Dehumidification Mode**

- ❖ Inside 26.7°C DB: 19.4°C WB
- ❖ Outside 35°C DB: 23.9°C WB

## **Standard Test Operating Conditions in Heating Mode**

- ❖ Inside 8.3°C DB: 6.1°C WB
- ❖ Outside 21.1°C DB: 15.6°C WB

## **WARRANTY**

All warranty is effective from the date of installation. Labour warranty is the responsibility of the installing contractor.

MITSWZ28EC by Mits Airconditioning Inc.

- 3 years compressor warranty
- 1 year for parts warranty

**Distributed by:**



**Mississauga**

**905-564-2221/800-567-2221**

**Barrie**

**705-722-3200/800-688-1673**

**London**

**5 19-914-9000**

**Windsor**

**5 19-914-0332**

**[www.mitsair.com](http://www.mitsair.com)**

To register warranty on equipment, go to [www.mitsair.com/warranty-registration](http://www.mitsair.com/warranty-registration)

## Eco Mode Function (i.e. Door/Window Mode Function) Logic of WZ-28EC Inverter Polar

This function can only be effected in Cooling Mode and in Heating Mode.

### **I. Effected in Cooling Mode:**

In cooling mode, when the compressor runs continuously for 30 minutes, the indoor air temperature T1 (reference point) at that time is recorded. After that, the indoor air temperature is judged. If the current indoor air temperature is higher than T1 (reference point) by 3°C or more, and the compressor is running at that time, the Door/Window Mode will be entered.

The operation of the Door/Window Mode function:

1. The set temperature for the Door/Window Mode is 30°C
2. The display is on automatically and remain to show “ EC ”.

### **II. Effected in Heating Mode:**

In heating mode, when the compressor runs continuously for 30 minutes, the indoor air temperature T1 (reference point) at that time is recorded, and then the indoor air temperature is judged. If the current indoor air temperature is lower than T1 (reference point) by 3°C or more, and the compressor is running at that time, the Door/Window Mode will be entered.

The operation of the Door/Window Mode function:

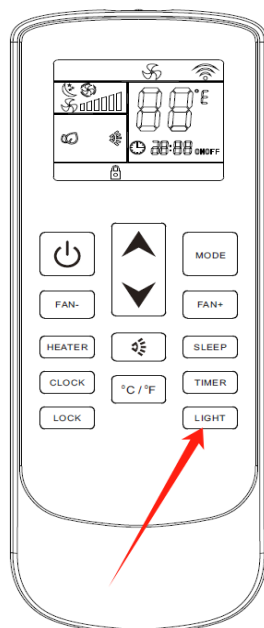
1. The set temperature for the Door/Window Mode is 18°C
2. The display is on automatically and remain to show “ EC ”.

### **III. Exit of the Door/Window Mode function in Cooling or Heating Mode:**

After receiving any control signal from the remote controller, the on-board-control, or WiFi APP, the Door/Window Mode function is exited, and the continuous running time of the compressor is reset and the time is re-started, the display shows normally:

### **IV. Notes:**

1. The Door/Window Mode is a factory-defaulted function.
2. In standby mode, press Light Key in Remote Controller for 6 times in 10 seconds continuously, the buzzer will emit a long beep sound "di--", which can disable the Door/Window Mode function (disabled after that, the conditions will not enter the energy-saving mode);
3. In standby mode, in 10 seconds, press Light Key in Remote Controller for 6 times continuously again, the buzzer will emit a short beep sound "didi", which will enable the Door/Window Mode function again.



# 2000W Electric Heater Speakers Logic of WZ-28EC Inverter Polar

## **I. Heating Mode 1 (Heat Pump + Electric Heater Function)**

① When entering Heating Mode, the Electric Heater signal (from remote controller, or on-board-control, or WiFi APP) is **not switched**, the electric heater function is executed **automatically**:

The Electric Heater automatic opening requires all of the following conditions to be met:

1. Indoor Air Temperature IAT  $\leq 15^{\circ}\text{C}$ .
2. In Heating Mode.

The Electric Heater function is closed when any of the following conditions are met:

1. Indoor Air Temperature (IAT)  $\geq 22^{\circ}\text{C}$
2. Indoor Air Temperature (IAT)  $>$  set temperature  $+2^{\circ}\text{C}$
3. Received the Electric Heater closed signal (from remote controller, or on-board-control, or WiFi APP)

② In heating mode, when receiving the Electric Heater signal (from remote controller, or on-board-control, or WiFi APP) **switched**, the electric heater function is executed **manually**:

The Electric Heater function is turned on when all of the following conditions are met:

1. The device is operating in heating mode:
2. Received the the Electric Heater opened signal (from remote controller, or on-board-control, or WiFi APP)
3. Indoor Air Temperature (IAT)  $<$  set temperature

The Electric Heater function is closed when any of the following conditions are met:

1. Switch to another mode or turn off the device
2. Received the Electric Heater function closed signal (from remote controller, or on-board-control, or WiFi APP)
3. Indoor Air Temperature IAT  $>$  set temperature  $+2^{\circ}\text{C}$
4. Indoor Air Temperature IAT  $\geq 25^{\circ}\text{C}$  (when set temperature is  $25^{\circ}\text{C}$ , IAT should be  $\geq 26^{\circ}\text{C}$ )

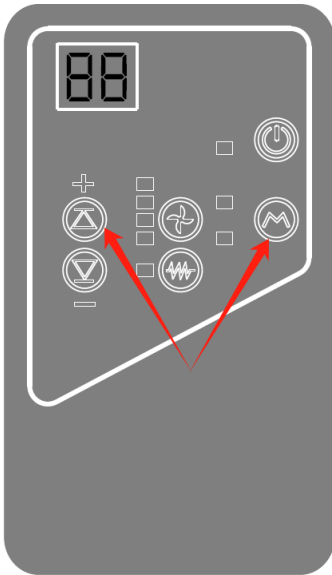
③ Notes:

1. The Electric Heater has no power failure memory (i.e. Auto Restart).
2. **Defrosting process does not affect Electric Heater operation.**

## **II. optional Heating Mode 2 (Only Electric Heater Operation)**

① Heating Mode 2 Entry: in standby mode: in on-board-control panel, press the Mode Key and the Temperature + Key simultaneously for 3 seconds continuously, and the Display shows "HA" for 5 seconds, then extinguished, and the buzzer will beep twice, **enable** the Only Electric Heater Operation function.

② Heating Mode 2 Exit: in standby mode: in on-board-control panel, press the Mode Key and the Temperature + Key simultaneously for 3 seconds continuously, and the Display shows "HE" for 5 seconds, then extinguished, and the buzzer will beep twice, **disable** the Only Electric Heater Operation function. In Heating Model after the device is turned on, **the Heating Mode 1 (Heat Pump + Electric Heater Function)** will be effected.



③ In Heating Mode or Auto Mode (heating), the indoor fan, the swing flap, compressor and outdoor motor are off, only the Electric Heater is operated in 2 side speaker.

④ The Electric Heater operation requires the following conditions:

1. In Heating Mode or Auto Mode (heating),
2. Indoor Air Temperature IAT  $\leq$  set temperature ST + 1 °C

⑤ The Electric Heater is turned off when any of the following conditions occur:

1. Indoor Air Temperature IAT > set temperature ST + 3 °C
2. Manually switched to another mode or turned off.

⑥ Notes:



In Heating Mode 2 (Only Electric Heater Operation) after the device is turned on, the following signals are disabled (from remote controller, or on-board-control, or WiFi APP): fan speed control, swing flap, sleep, timer function, UV disinfection signal(if any).

58mm  
55mm

**MITSAIR™**

**Packaged Thru-the-Wall  
Heat Pump**

Model	MITSWZ28EC	
Power Supply	208/230V/60 Hz	
Cooling Capacity	8881 Bth/h, 2603 W	
Heating Capacity	7895 Btu/h, 2314 W	
Electric Heater Capacity	6824 Btu/h, 2000 W	
Refrigerant Charge (R32)	470 g / 16.6 oz	
Weight	52 kg / 114.6 lb	
Max. Pressure	4.2 Mpa / 609 PSIG	
Min. Pressure	1.62 Mpa / 236 PSIG	
Max. Allowable Pressure	6.5 Mpa / 943 PSIG	
R.L.A of Compressor	4.15A	
F.L.A of Fan Motor(up/down)	0.3A/1.05A	
Rated Current	Cooling	3.34A
	Heating	3.16A+9.1A
	Electric Heater	9.1A
Rated Power	Cooling	675W
	Heating	689W+2050W
	Electric Heater	2000W
Manufacture Date	Aug, 2024	


 CONFORMS TO  
 UL STD. 60335-1, 60335-2-40  
 CERTIFIED TO  
 CSA STD. C22.2  
 No. 60335-1, 60335-2-40
 

MADE IN P.R.C.

116mm  
112mm



PANTONE:185C